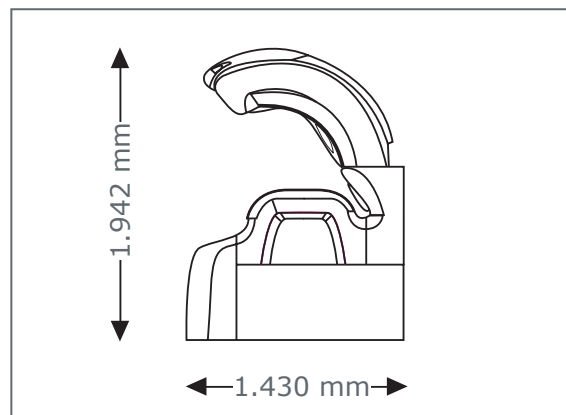
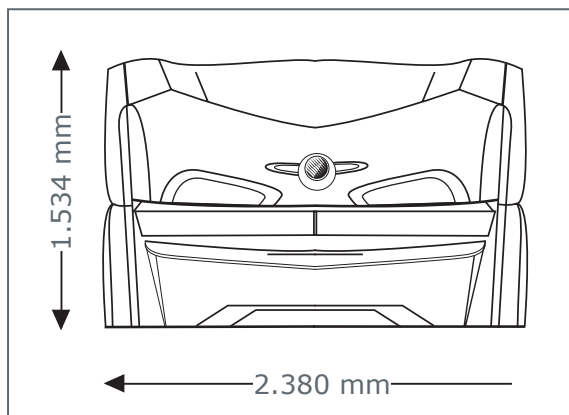




**COLLARIUM**<sup>®</sup>  
*mon amie deluxe*

|                                       |   |
|---------------------------------------|---|
| <b>Nominal power min/max:</b>         | 9 kW/10 kW  |
| <b>Weight:</b>                        | ~1367 lbs (with aircon)   |
| <b>Bench pane:</b>                    | 286 lbs (max. load capacity)  |
| <b>Electrical requirements</b>        |   |
| <b>Power connection:</b>              | rear side left  |
| <b>Protective class:</b>              | IP20  |
| <b>Mains voltage:</b>                 | 400V / ~3N / 50Hz   |
| <b>Wire cross section:</b>            | 5 x 4 mm <sup>2</sup> Ölflex  |
| <b>Fuses:</b>                         | Automatic fuse K-type (safety cut-out), 3-pole (3 x 25A) with residual current-operated circuit breaker (RCD) |
| <b>Air discharge</b>                  |   |
| <b>Fan:</b>                           | Exhaust-air socket Ø 300 - Height to top 1563 mm<br>(With and without hot air recirculation)                  |
| <b>Minimum exhaust air flow rate:</b> | 2250 m <sup>3</sup> /h  |
| <b>Exhaust-air hose:</b>              | Ø 300   |
| <b>Dimensions</b>                     |   |
| (Height x width x depth) in mm:       | 1534 x 2380 x 1430 (closed)<br>1942 x 2380 x 1430 (open)  |

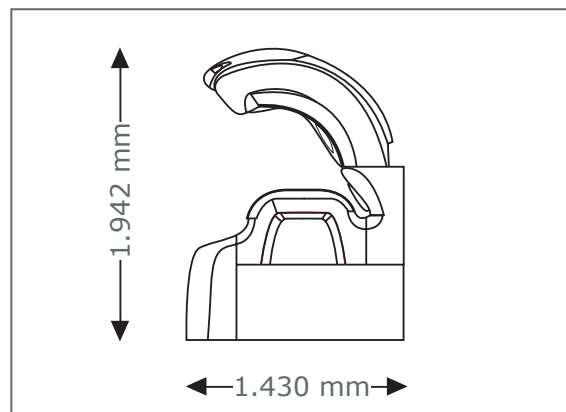
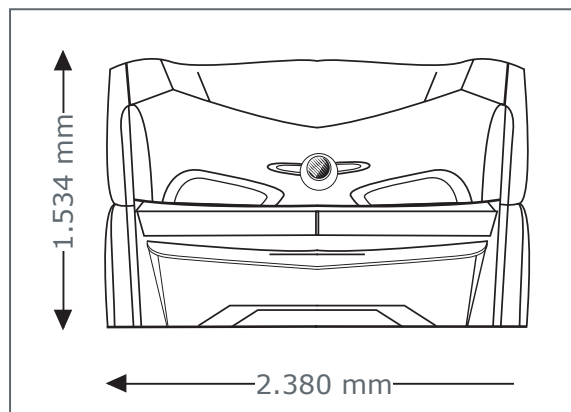




**COLLARIUM<sup>®</sup>**  
*mon amie deluxe*



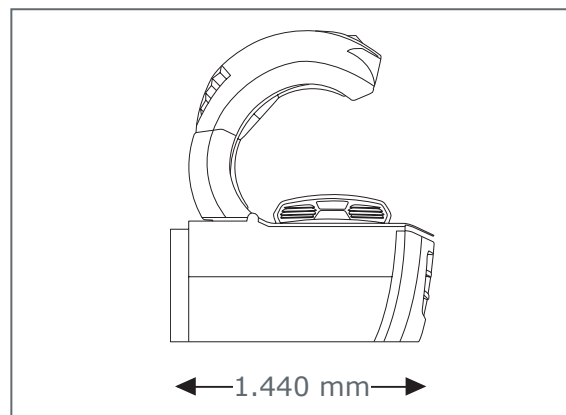
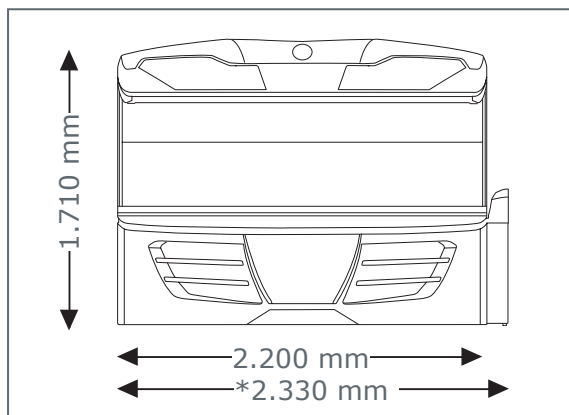
|                                       |   |
|---------------------------------------|---|
| <b>Nominal power min/max:</b>         | 9 kW/10 kW  |
| <b>Weight:</b>                        | ~1367 lbs (with aircon)   |
| <b>Bench pane:</b>                    | 286 lbs (max. load capacity)  |
| <b>Electrical requirements</b>        |   |
| <b>Power connection:</b>              | rear side left  |
| <b>Protective class:</b>              | IP20  |
| <b>Mains voltage:</b>                 | 400V / ~3N / 50Hz   |
| <b>Wire cross section:</b>            | 5 x 4 mm <sup>2</sup> Ölflex  |
| <b>Fuses:</b>                         | Automatic fuse K-type (safety cut-out), 3-pole (3 x 25A) with residual current-operated circuit breaker (RCD) |
| <b>Air discharge</b>                  |   |
| <b>Fan:</b>                           | Exhaust-air socket Ø 300 - Height to top 1563 mm<br>(With and without hot air recirculation)                  |
| <b>Minimum exhaust air flow rate:</b> | 2250 m <sup>3</sup> /h  |
| <b>Exhaust-air hose:</b>              | Ø 300   |
| <b>Dimensions</b>                     |   |
| (Height x width x depth) in mm:       | 1534 x 2380 x 1430 (closed)<br>1942 x 2380 x 1430 (open)  |





**COLLARIUM**<sup>®</sup>  
*mon amie* individuell

|                                       |   |
|---------------------------------------|---|
| <b>Nominal power min/max:</b>         | 8 kW/10 kW  |
| <b>Weight:</b>                        | ~1257 lbs (with aircon)   |
| <b>Bench pane:</b>                    | 286 lbs (max. load capacity)  |
| <b>Electrical requirements</b>        |   |
| <b>Power connection:</b>              | rear side left  |
| <b>Protective class:</b>              | IP20  |
| <b>Mains voltage:</b>                 | 400V / ~3N / 50Hz   |
| <b>Wire cross section:</b>            | 5 x 4 mm <sup>2</sup> Ölflex  |
| <b>Fuses:</b>                         | Automatic fuse K-type (safety cut-out), 3-pole (3 x 25A) with residual current-operated circuit breaker (RCD) |
| <b>Air discharge</b>                  |   |
| <b>Fan:</b>                           | Exhaust-air socket Ø 300 - Height to top 1563 mm<br>(With and without hot air recirculation)                  |
| <b>Minimum exhaust air flow rate:</b> | 2250 m <sup>3</sup> /h  |
| <b>Exhaust-air hose:</b>              | Ø 300   |
| <b>Dimensions</b>                     |   |
| (Height x width x depth) in mm:       | 1710 x 2200 x 1440 (open)<br>1710 x 2330 x 1440 (open with Sond System)                                       |





## Tower COLLARIUM<sup>®</sup> *mon amie*

|                                       |   |
|---------------------------------------|---|
| <b>Nominal power max:</b>             | 11 kW   |
| <b>Weight:</b>                        | ~849 lbs  |
| <b>Bench pane:</b>                    | 330 lbs (max. load capacity)  |
| <b>Electrical requirements</b>        |   |
| <b>Power connection:</b>              | rear side right   |
| <b>Protective class:</b>              | IP20  |
| <b>Mains voltage:</b>                 | 400V / ~3N / 50Hz   |
| <b>Wire cross section:</b>            | 5 x 2,5 mm <sup>2</sup> Ölflex  |
| <b>Fuses:</b>                         | Automatic fuse K-type (safety cut-out), 3-pole (3 x 25A) with residual current-operated circuit breaker (RCD) |
| <b>Air discharge</b>                  |   |
| <b>Fan:</b>                           | Exhaust-air socket Ø 300  |
| <b>Minimum exhaust air flow rate:</b> | 2000 m <sup>3</sup> /h  |
| <b>Exhaust-air hose:</b>              | Ø 300   |
| <b>Dimensions</b>                     |   |
| (Height x width x depth) in mm:       | 2180 ±10 x 1400 ±5 x 1498 ±5 (closed)<br>2180 +10 x 1400 +5 x 1958 +5 (open)                                  |

